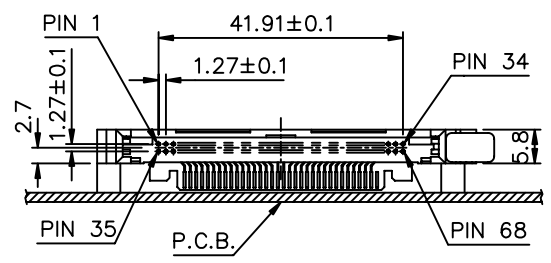
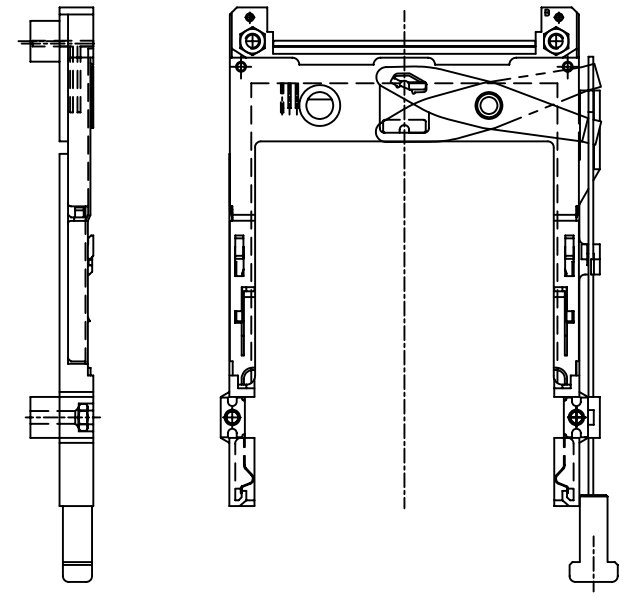
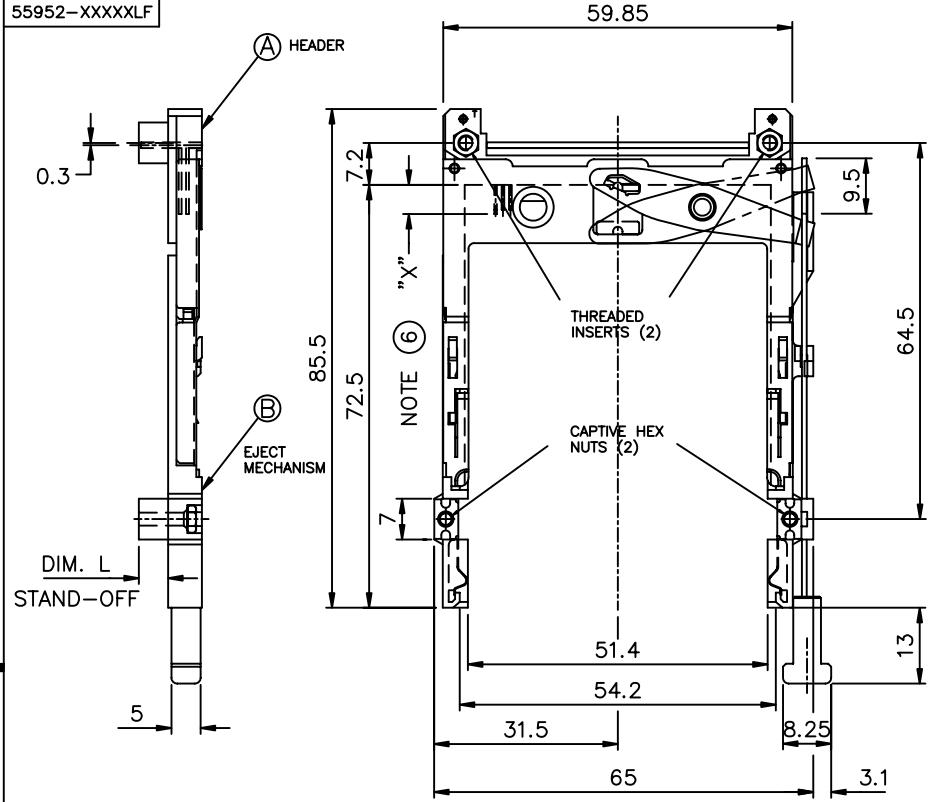


Tous droits strictement réservés. Reproduction ou communication a des tiers interdite sous quelque forme que ce soit sans autorisation écrite du propriétaire. Propriété de c FCI. Droits de reproduction FCI.

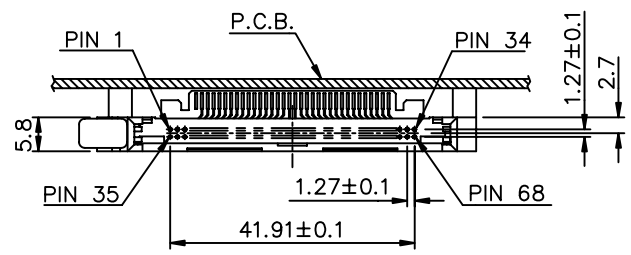
All rights strictly reserved. Reproduction or issue to third parties in any form whatever is not permitted without written authority from the proprietor. Property of FCI. Copyright FCI.



PRODUCT NO.
55952-XXXXX
55952-XXXXXLF



ABOVE P.C.B.
RIGHT PUSH ROD



BELOW P.C.B.
LEFT PUSH ROD

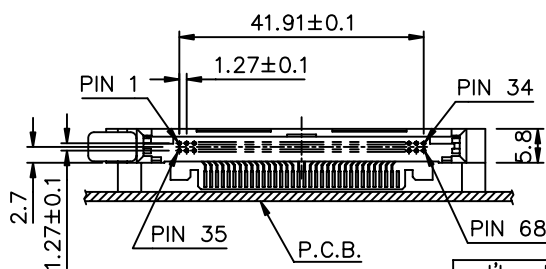
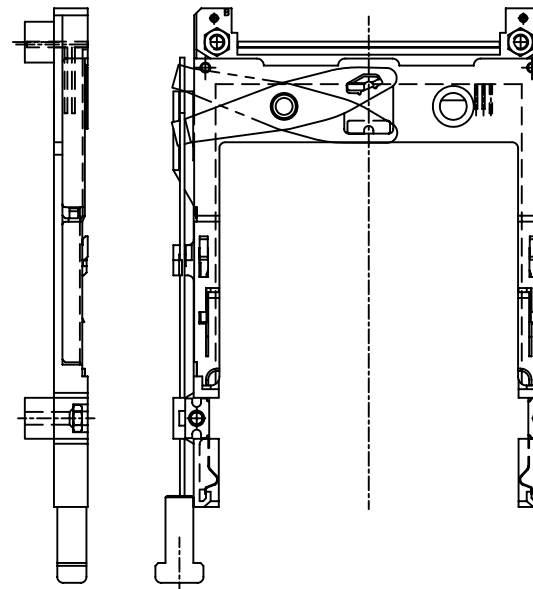
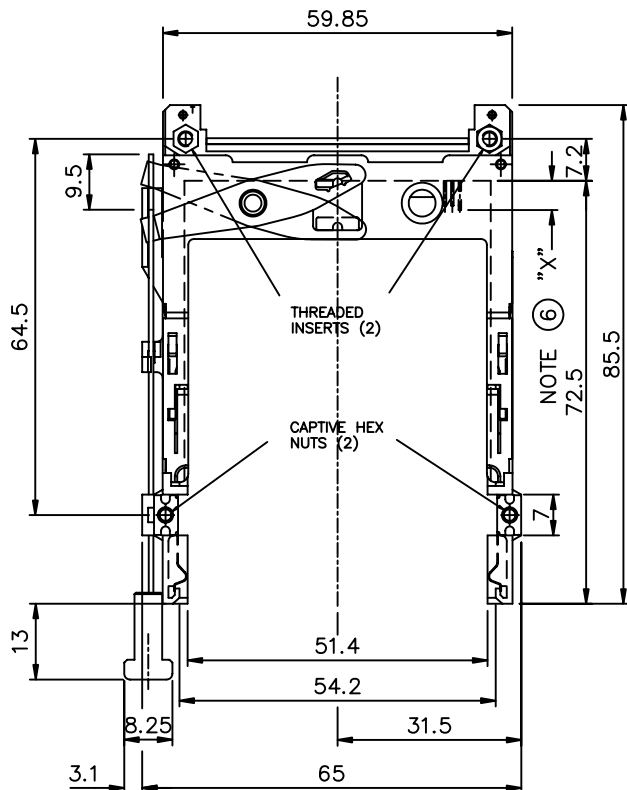
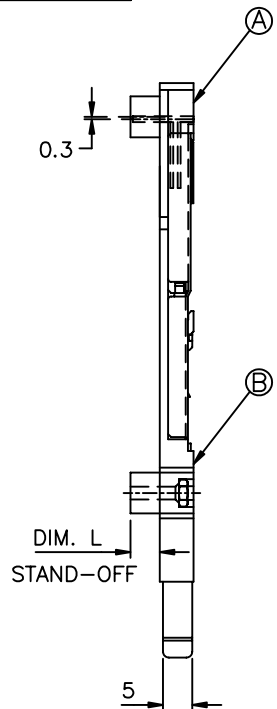
mat'l. code				tolerances unless otherwise specified				CUSTOMER COPY		www.fciconnect.com	
ltr	ecn no	dr	date	linear	.X±.3			projection	title		
A	V01768	RJR	8/22/00		.XX±.13				EJECTOR HEADER ASS'Y		
B	V03-0512	WL	05/29/03	angles	.XXX±.051				3.3V, SMT TYPE 1/2/3		
C	T03-0540	WL	12/05/03		0° ±2°				product family PCMCIA code		
D	N05-135	WB	05/27/05	dr	R. RINEHART	8/22/00		← MM →		size dwg no	
				enr	D. BRANN	8/22/00		scale		sheet	
				chr	D. BRANN	8/22/00		1:1		1 of 4	
				appd	D. BRANN	8/22/00					
sheet index	revision sheet	C	C	D	B						
		1	2	3	4						

Tous droits strictement réservés. Reproduction ou communication a des tiers interdite sous quelque forme que ce soit sans autorisation écrite du propriétaire. Propriété de c FCI. Droits de reproduction FCI.

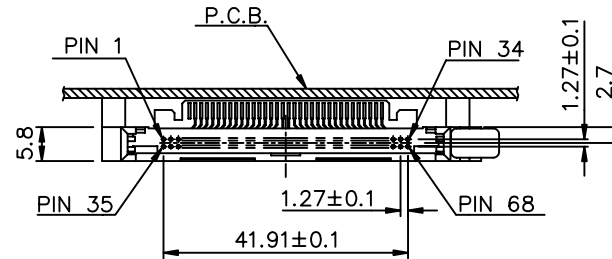
All rights strictly reserved. Reproduction or issue to third parties in any form whatever is not permitted without written authority from the proprietor. Property of FCI. Copyright FCI.



PRODUCT NO.
SEE TABLE



ABOVE P.C.B.
LEFT PUSH ROD



BELOW P.C.B.
RIGHT PUSH ROD

mat'l. code				tolerances unless otherwise specified		CUSTOMER COPY	 www.Fciconnect.com
ltr	ecn no	dr	date	linear	.X±.3		
c					.XX±.13		EJECTOR HEADER ASS'Y
				angles	.XXX±.051		product family
				dr	0° ±2°	size	dwg no
				enr		scale	A4
				chr	R. RINEHART 8/22/00	1:1	55952
				appd	D. BRANN 8/22/00		
sheet index	revision sheet						sheet 2 of 4

PRODUCT NO.
SEE TABLE

NOTES:

1. 8mm MIN. CARD EJECT.
2. EJECT TRAVEL: 9.5mm
- ③ PUSH ROD LOCATION AND P.C.B. SIDE ARE AS APPEARS INSTALLED.
4. MATERIAL
 - 4.1 PART Ⓐ (HEADER ASS'Y)
PLASTIC : HOUSING ...LCP UL94V-0
PIN : PHOSPHOR BRONZE
PCB : FR4
 - 4.2 PART Ⓑ (EJECT MECHANISM ASS'Y)
PLASTIC : GUIDE: POLYPHTHARAMID UL94V-0 BLACK
: PUSH ROD CAP: POLYPHTHARAMID UL94V-0 BLACK
PLATE AND PUSH ROD : STAINLESS
EMI CONTACT: PHOSPHOR BRONZE
5. FINISH (PIN)
 - UNDER PLATING : 0.5µm Ni
 - CONTACT AREA : 0.1µm GOLD OVER
0.5µm Pd-Ni
 - SOLDER TAIL : 2.5µm Sn-Pb
: 2.5µm PURE Sn(-*****LF)
- ⑥ DIM "X"

4.25±0.1	3.5±0.1	5.0±0.1
OTHERS	36,67	1,17,34,35,51,68
7. RECOMMENDED MATING CONNECTOR
P/N 91931-31169
8. RECOMMENDED SCREW TORQUE:
1.0 TO 1.5 MAX in-lbs (1.2-1.7 cm-kgs)
9. IF LEAD FREE P.N.THE HOUSING WILL WITHSTAND EXPOSURE TO
260°C PEAK TEMPERATURE FOR 10 SECONDS IN A WAVE SOLDER
APPLICATION WITH A 1.00MM MINIMUM THICK CIRCUIT BOARD.
10. IF LEAD FREE P/N.THE PRODUCT MEETS EUROPEAN UNION DIRECTIVES
AND OTHER COUNTRY REGULATIONS AS DESCRIBED IN GS-22-008
11. LEAD FREE P/N PACKAGING MEETS GS-14-920 SPECIFICATION

P.C.B. SIDE ③	PUSH ROD LOCATION ③	DIM. L	PRODUCT NO.	Ⓐ HDR & PWB ASS'Y	Ⓑ EJ ASS'Y	INSERT(2 pcs)
BELOW	LEFT	5	55952-650CALF	10003528-5050LF	95627-05CA	93260-005
		4.3	55952-640CALF	10003528-5043LF	95627-043CA	93260-013
		2.2	55952-620CALF	10003528-5022LF	95627-022CA	93260-011
	RIGHT	5	55952-550CALF	10003528-5050LF	95627-15CA	93260-005
		4.3	55952-540CALF	10003528-5043LF	95627-143CA	93260-013
		2.2	55952-520CALF	10003528-5022LF	95627-122CA	93260-011
ABOVE	LEFT	5	55952-150CALF	10003528-0050LF	95627-15CA	93260-005
		4.3	55952-140CALF	10003528-0043LF	95627-143CA	93260-013
		2.2	55952-120CALF	10003528-0022LF	95627-122CA	93260-011
	RIGHT	5	55952-050CALF	10003528-0050LF	95627-05CA	93260-005
		4.3	55952-040CALF	10003528-0043LF	95627-043CA	93260-013
		2.2	55952-020CALF	10003528-0022LF	95627-022CA	93260-011
BELOW	LEFT	5	55952-650CA	10003528-5050	95627-05CA	93260-005
		4.3	55952-640CA	10003528-5043	95627-043CA	93260-013
		2.2	55952-620CA	10003528-5022	95627-022CA	93260-011
	RIGHT	5	55952-550CA	10003528-5050	95627-15CA	93260-005
		4.3	55952-540CA	10003528-5043	95627-143CA	93260-013
		2.2	55952-520CA	10003528-5022	95627-122CA	93260-011
ABOVE	LEFT	5	55952-150CA	10003528-0050	95627-15CA	93260-005
		4.3	55952-140CA	10003528-0043	95627-143CA	93260-013
		2.2	55952-120CA	10003528-0022	95627-122CA	93260-011
	RIGHT	5	55952-050CA	10003528-0050	95627-05CA	93260-005
		4.3	55952-040CA	10003528-0043	95627-043CA	93260-013
		2.2	55952-020CA	10003528-0022	95627-022CA	93260-011

Tous droits strictement reserves. Reproduction ou communication a des tiers interdite sous quelque forme que ce soit sans autorisation ecrite du proprietaire. Propriete de c FCI. Droits de reproduction FCI.



All rights strictly reserved. Reproduction or issue to third parties in any form whatever is not permitted without written authority from the proprietor. Property of FCI. Copyright FCI.

⑥ DIM "X"

4.25±0.1	3.5±0.1	5.0±0.1
OTHERS	36,67	1,17,34,35,51,68

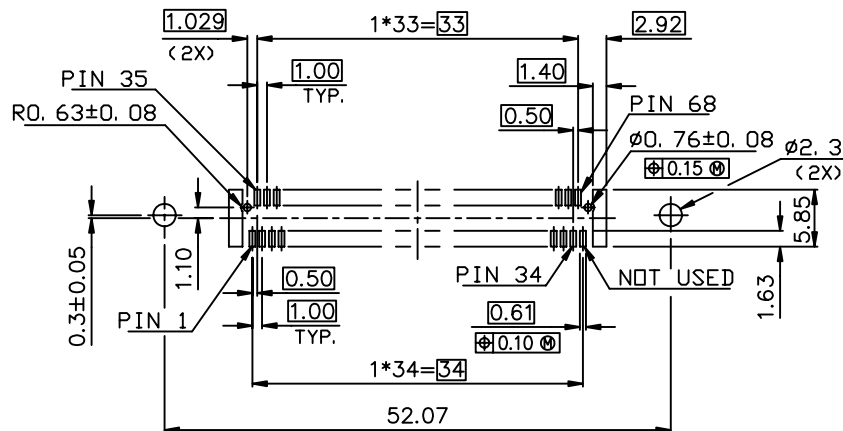
mat'l. code				tolerances unless otherwise specified		CUSTOMER COPY		 www.fciconnect.com	
ltr	ecn no	dr	date	linear	.X±.3		projection	title	
D					.XX±.13			EJECTOR HEADER ASS'Y	
					.XXX±.051			3.3V, SMT TYPE 1/2/3	
				angles	0' ±2'		 MM	product family PCMCIA	
				dr	R. RINEHART	8/22/00		code	
				enr	D. BRANN	8/22/00		size dwg no	
				chr	D. BRANN	8/22/00		sheet	
				appd	D. BRANN	8/22/00	scale	3 of 4	
sheet index		revision sheet				1:1		A4 55952	

FOR P/N: 55952-0**CA/0**CALF/1**CA/1**CALF

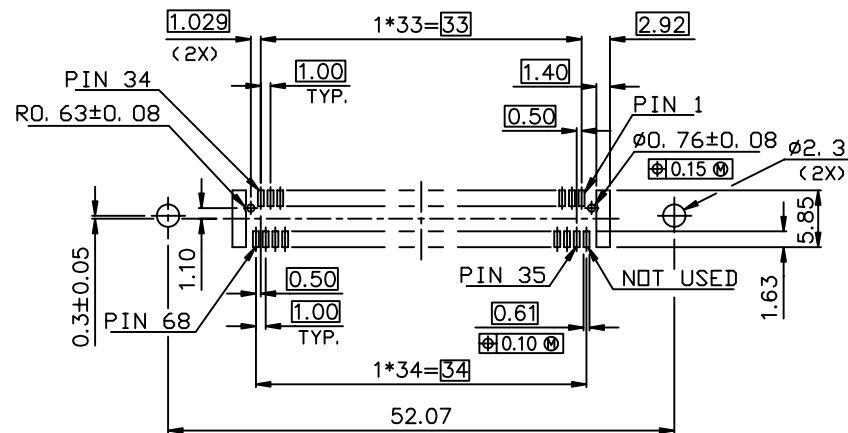
FOR P/N: 55952-5**CA/5**CALF/6**CA/6**CALF

Tous droits strictement reserves. Reproduction ou communication a des tiers interdite sous quelque forme que ce soit sans autorisation écrite du propriétaire. Propriete de c FCI. Droits de reproduction FCI.

All rights strictly reserved. Reproduction or issue to third parties in any form whatever is not permitted without written authority from the proprietor. Property of FCI. Copyright FCI.



RECOMMENDED PCB LAYOUT ABOVE PCB MOUNT



RECOMMENDED PCB LAYOUT BELOW PCB MOUNT

mat'l. code				tolerances unless otherwise specified		CUSTOMER COPY		 FCI		
ltr	ecn no	dr	date	linear	.X±.3		projection	www.fciconnect.com		
B					.XX±.13				title	
					.XXX±.051				EJECTOR HEADER ASS'Y	
				angles	0° ±2'		 MM	3.3V, SMT TYPE 1/2/3		
				dr	R. RINEHART	8/22/00		scale	product family PCMCIA	
				enr	D. BRANN	8/22/00	1:1		size dwg no	
				chr	D. BRANN	8/22/00			A4 55952	
				appd	D. BRANN	8/22/00			sheet 4 of 4	
sheet index	revision sheet									